

£ > View offers

> Find out more

> Find a Retailer

> View the Range Guide

# E-Class

Saloon and Estate



Effective from 1 September 2016 Production.

Mercedes-Benz



# Contents

|  |    |                                       |    |                        |    |
|--|----|---------------------------------------|----|------------------------|----|
| Model prices                                     | 7  | Wheels                                | 23 | Colours and materials  | 34 |
| SE, AMG Line and Mercedes-AMG E 43               | 9  | Lane Tracking package                 | 26 | Technical data         | 38 |
| Premium and Premium Plus<br>equipment lines      | 15 | Driving Assistance Plus package       | 27 | Road Fund Licence      | 46 |
| Pricing summary for model and<br>equipment lines | 17 | COMAND Online system                  | 28 | Services and insurance | 47 |
| Standard equipment                               | 18 | Optional equipment                    | 29 | Mercedes me            | 48 |
|  |    | Mercedes me applications and services | 33 | Mercedes-Benz Finance  | 50 |



> View offers



> Find out more



> Find a Retailer



> View the Range Guide

## The hard facts to melt your heart

At Mercedes-Benz we appreciate the importance of detail. Over the following pages you'll find model prices and a breakdown of standard and optional equipment, as well as details of the comprehensive services and benefits that are available to every Mercedes-Benz driver.

Of course, some things have to be experienced to be truly appreciated, such as the qualities that set a Mercedes-Benz apart. Which is why we'd like to invite you for a test drive at your local Mercedes-Benz Retailer. Alternatively, you can make arrangements by visiting [www.mercedes-benz.co.uk/testdrive](http://www.mercedes-benz.co.uk/testdrive)

For more information visit [www.mercedes-benz.co.uk](http://www.mercedes-benz.co.uk) or call 0333 222 0500.



> View offers



> Find out more



> Find a Retailer



> View the Range Guide



Some of the model features, optional extras and colours shown may not be available, or may only be available in a different specification.



> View offers



> Find out more



> Find a Retailer



> View the Range Guide



Some of the model features, optional extras and colours shown may not be available, or may only be available in a different specification.



> View offers



> Find out more



> Find a Retailer



> View the Range Guide



Some of the model features, optional extras and colours shown may not be available, or may only be available in a different specification.

## Model prices – Saloon

| Engine   | Model line | Transmission                                  | CO <sub>2</sub> | Basic RRP<br>excl. VAT (£) | Total RRP<br>incl. VAT (£) | Road Fund<br>Licence (£) <sup>1</sup> | Rec. OTR<br>price (£) <sup>2</sup> | P11D<br>value (£) | BiK tax rate<br>2016/17 (%) |
|--|------------|---|-----------------|----------------------------|----------------------------|---------------------------------------|------------------------------------|-------------------|-----------------------------|
| <b>E 200 d</b><br>Diesel – 1,950 cc, 4-cylinder, 150hp/110kW                               | SE         | 9G-TRONIC PLUS 9-speed automatic <sup>3</sup> | 102             | 28,141.67                  | 33,770.00                  | 0.00                                  | 34,440.00                          | 34,385.00         | 20                          |
|  | AMG Line   | 9G-TRONIC PLUS 9-speed automatic <sup>3</sup> | 112             | 30,220.83                  | 36,265.00                  | 0.00                                  | 36,935.00                          | 36,880.00         | 22                          |
| <b>E 220 d</b><br>Diesel – 1,950 cc, 4-cylinder, 194hp/143kW                               | SE         | 9G-TRONIC PLUS 9-speed automatic <sup>3</sup> | 102             | 29,387.50                  | 35,265.00                  | 0.00                                  | 35,935.00                          | 35,880.00         | 20                          |
|  | AMG Line   | 9G-TRONIC PLUS 9-speed automatic <sup>3</sup> | 112             | 31,466.67                  | 37,760.00                  | 0.00                                  | 38,430.00                          | 38,375.00         | 22                          |
| <b>E 350 d</b><br>Diesel – 2,987 cc, 6-cylinder, 258hp/190kW                               | SE         | 9G-TRONIC PLUS 9-speed automatic <sup>3</sup> | 136             | 36,775.00                  | 44,130.00                  | 130.00                                | 44,930.00                          | 44,745.00         | 27                          |
|  | AMG Line   | 9G-TRONIC PLUS 9-speed automatic <sup>3</sup> | 144             | 38,841.67                  | 46,610.00                  | 145.00                                | 47,425.00                          | 47,225.00         | 28                          |
| <b>E 350 e</b><br>Petrol – 1,991 cc, 4-cylinder, 211hp/155kW<br>Electric motor – 88hp/65kW | SE         | 9G-TRONIC PLUS 9-speed automatic <sup>3</sup> | 49              | 36,883.33                  | 44,260.00                  | 0.00                                  | 44,930.00                          | 44,875.00         | 7                           |
|  | AMG Line   | 9G-TRONIC PLUS 9-speed automatic <sup>3</sup> | 57              | 38,962.50                  | 46,755.00                  | 0.00                                  | 47,425.00                          | 47,370.00         | 11                          |
| <b>Mercedes-AMG</b>  |            |   |                 |                            |                            |                                       |                                    |                   |                             |
| <b>Mercedes-AMG E 43 4MATIC</b><br>Petrol – 2,996 cc, 6-cylinder, 401hp/295kW              | -          | 9G-TRONIC PLUS 9-speed automatic <sup>3</sup> | 192             | 45,437.50                  | 54,525.00                  | 500.00                                | 55,695.00                          | 55,140.00         | 35                          |

<sup>1</sup>A different first year rate of Vehicle Excise Duty (Road Fund Licence) applies for new cars. Please refer to page 46 for the relevant rate for the second and subsequent years

<sup>2</sup>Recommended on-the-road price: these prices reflect the Road Fund Licence applicable to the standard model plus £670.00 additional costs necessary to put your car on the road.

<sup>3</sup>Included are a standard UK delivery charge (£540.00 incl. VAT), new vehicle registration fee (£55.00), number plates (£25.00 incl. VAT) and fuel (£50.00 incl. VAT). VAT is calculated at the standard rate of 20%

<sup>3</sup>With DIRECT SELECT and SPEEDTRONIC cruise control

[View offers](#)[Find out more](#)[Find a Retailer](#)[View the Range Guide](#)

## Model prices – Estate

| Engine  | Model line | Transmission                                  | CO <sub>2</sub> | Basic RRP<br>excl. VAT (£) | Total RRP<br>incl. VAT (£) | Road Fund<br>Licence (£) <sup>1</sup> | Rec. OTR<br>price (£) <sup>2</sup> | P11D<br>value (£) | BiK tax rate<br>2016/17 (%) |
|---|------------|---|-----------------|----------------------------|----------------------------|---------------------------------------|------------------------------------|-------------------|-----------------------------|
| E 220 d<br>Diesel – 1,950 cc, 4-cylinder, 194 hp/143 kW | SE         | 9G-TRONIC PLUS 9-speed automatic <sup>3</sup> | 109             | 31,054.17                  | 37,265.00                  | 0.00                                  | 37,935.00                          | 37,880.00         | 21                          |
|   | AMG Line   | 9G-TRONIC PLUS 9-speed automatic <sup>3</sup> | 120             | 33,133.33                  | 39,760.00                  | 0.00                                  | 40,430.00                          | 40,375.00         | 24                          |

<sup>1</sup>A different first year rate of Vehicle Excise Duty (Road Fund Licence) applies for new cars. Please refer to page 46 for the relevant rate for the second and subsequent years

<sup>2</sup>Recommended on-the-road price: these prices reflect the Road Fund Licence applicable to the standard model plus £670.00 additional costs necessary to put your car on the road.

<sup>3</sup>Included are a standard UK delivery charge (£540.00 incl. VAT), new vehicle registration fee (£55.00), number plates (£25.00 incl. VAT) and fuel (£50.00 incl. VAT). VAT is calculated at the standard rate of 20%

<sup>3</sup>With DIRECT SELECT and SPEEDTRONIC cruise control



## E-Class SE



The E-Class SE model line comes with either 17" or 18" 5-spoke alloy wheels, depending on engine. Innovative technology includes High Performance LED head and tail lamps, Parking Pilot including PARKTRONIC and reversing camera. The interior is equipped with leather upholstery and heated front seats, ambient lighting with 64 colour settings, KEYLESS-GO starting function and a 3-spoke multi-function steering wheel. The new E-Class Estate also has rear split folding seats, EASY-PACK automatic powered tailgate and

chrome roof rails for stylish versatility. Garmin® MAP PILOT navigation and the Audio 20 USB multimedia system (8.4-inch display) are standard. The 350 d and 350 e engine models feature COMAND Online system (12.3-inch display), smartphone integration with Android Auto and Apple CarPlay™ as well as the adjustable multi-chamber AIR BODY CONTROL air suspension which increases ride comfort and stability.

#### Exterior





|   |
|---|
| 17" alloy wheels – 5-spoke design                         |
| 18" alloy wheels (E 350 d/E 350 e only)                   |
| Active Brake Assist                                       |
| AGILITY CONTROL suspension                                |
| AIR BODY CONTROL air suspension (E 350 d/E 350 e only)    |
| DYNAMIC SELECT with a choice of driving modes             |
| EASY-PACK automatic powered tailgate (Estate only)        |
| Electrically folding mirrors and dimming rear-view mirror |
| Headlamps – High Performance LED head and tail lamps      |
| Parking Pilot including PARKTRONIC and reversing camera   |
| Roof rails – chrome (Estate only)                         |
| SPEEDTRONIC cruise control and variable speed limiter     |

#### Interior

|  |
|--|
| Ambient lighting – 64 colours  |
| Audio 20 USB multimedia system with 8.4-inch display   |
| COMAND Online with 12.3-inch media display (E 350 d/E 350 e only) <sup>1</sup>                             |
| DAB digital radio tuner  |
| Garmin® MAP PILOT navigation system  |
| Heated front seats with leather upholstery   |
| KEYLESS-GO starting function   |
| Seats – rear split folding 40:20:40 (Estate only)  |
| Smartphone integration with Android Auto and Apple CarPlay™ (E 350 d/E 350 e only)                         |
| Steering wheel – 3-spoke multi-function steering wheel trimmed in nappa leather with touch-control buttons |

Touchpad with multi-touch control (E 350 d/E 350 e only)

#### Trim and Upholstery

|   |   |
|---|---|
| Aluminium with trapeze cut  | Leather – black   |
|   |   |
| Leather – hazelnut brown/black  | Leather – macchiato beige/black   |
|  |  |

<sup>1</sup>COMAND Online functionality and Wi-Fi connectivity is dependent on a compatible cellular data connection. Please check with your local Mercedes-Benz Retailer on network compatibility



> View offers



> Find out more



> Find a Retailer



> View the Range Guide

## E-Class AMG Line



E-Class Estate shown above features optional Premium Plus equipment line

The E-Class AMG Line – available for the Saloon and the new Estate models – takes its cues from our AMG performance experts, focused on sporty design as well as athletic handling. 19" AMG 5-twin spoke alloy wheels painted titanium grey feature, as does AMG bodystyling for front and rear apron and side skirts. Perforated brake discs with ‘Mercedes-Benz’ lettering complement the look of the AMG Line. Inside, you’ll find the 3-spoke multi-function AMG steering wheel in black nappa leather with flattened bottom section, chrome inserts and touch-control buttons. Driver and front

passenger can enjoy the electro-pneumatic four-way lumbar support which form part of the Seat Comfort package. Further interior highlights are AMG sports pedals with rubber studs, ARTICO leather<sup>1</sup>/DINAMICA microfibre upholstery and open-pore ash wood trim in black.

**AMG Line upgrade** – designed and priced as a package, including additional luxury items as listed below.

**Upgrade price (from SE)**

**Total incl. VAT<sup>2</sup> £2,495.00**

#### Exterior

19" AMG alloy wheels – 5-twin-spoke design, painted in titanium grey

AMG bodystyling – front and rear apron, side sill panels

Brake discs – perforated, with ‘Mercedes-Benz’ lettering

#### Interior

ARTICO leather<sup>1</sup> upper dashboard and beltlines with contrast stitching

Black open-pore ash wood trim

Black roof lining

Brushed stainless steel AMG sports pedals with black rubber studs

Seat Comfort package – driver and front passenger seat. Electro-pneumatic four-way lumbar support and manual seat cushion depth adjustment (6 cm)

Silver door pins

Steering wheel – 3-spoke multi-function AMG steering wheel in black nappa leather with flattened bottom section, chrome inserts with touch-control buttons

#### Trim and Upholstery

Black open-pore ash wood



ARTICO leather<sup>1</sup>/DINAMICA microfibre – black



# Mercedes-AMG E 43 4MATIC



The new Mercedes-AMG E 43 4MATIC Saloon offers impressive driving dynamics coupled with cutting-edge efficiency and athletic style. The 3.0-litre V6 biturbo engine delivers powerful 401 hp (295 kW) yet keeps fuel consumption and emissions to a minimum. The bold, sporty exterior is characterised by 19" AMG 5-twin spoke AMG alloy wheels, the iconic diamond radiator grille with chrome pins, as well as 'BITURBO 4MATIC' lettering on the front wings. Also standard are AMG bodystyling featuring

a front apron with distinctive air intakes, AMG side sill panels and an AMG diffusor-look rear apron. On entering the cabin, the central screen lights up with the AMG logo on the central screen. The interior is fitted with an ARTICO leather<sup>1</sup> dashboard revealing red contrast stitching, while the black nappa leather seats feature red contrast stitching and red seat belts. The floor mats repeat the striking theme with black leather edging, red piping and AMG logo.

#### Exterior

19" AMG alloy wheels – 5-twin-spoke bicolour

AMG bodystyling – front apron with distinctive air intakes, AMG side sill panels and AMG rear apron with diffuser look

'AMG' lettering on front brake calipers

AMG spoiler lip in vehicle colour

'BITURBO 4MATIC' lettering on front wings

Black mirror housings

Diamond grille with integrated star, chrome pins and 'AMG' lettering

#### Interior

AMG boot logo in central screen

ARTICO leather<sup>1</sup> dashboard with red contrast stitching

Floor mats – with black leather edging, red piping and AMG logo

Front door sill panels with 'AMG' lettering

Nappa leather black with red contrast stitching

Red seat belts

Split folding rear seats

#### Trim and Upholstery

Aluminium with trapeze cut

Nappa leather – black with red contrast stitching

Nappa leather – hazelnut brown/black

Nappa leather – macchiato beige/black

<sup>1</sup>Man-made leather

## Premium and Premium Plus equipment lines



Memory package



Panoramic electric glass sunroof



KEYLESS-GO Comfort package



MULTIBEAM LED Intelligent Light System



Burmester® surround sound system

Why not look over our equipment lines to enhance and personalise your choice of new car? If you want to increase your comfort and add the best

in entertainment to the SE, AMG Line or Mercedes-AMG E 43 4MATIC, the Premium and Premium Plus equipment lines do just that.

| Package comprises:                     | Notes  | Premium<br>£2,795.00 <sup>1</sup><br>(code DP0) | Premium Plus<br>£3,895.00 <sup>1</sup><br>(code DP1) |
|--|--|---|--|
| KEYLESS-GO Comfort package             | Including hands-free access, automatic powered boot closing, keyless entry and keyless start   | ■   | ■  |
| Memory package                         | Driver's seat, front passenger seat, steering column and exterior mirrors – electrically adjustable with memory  | ■   | ■  |
| Panoramic glass sunroof                | Consisting of a fixed panoramic glass rear section and an electrically-operated sliding glass front section, the glass roof provides additional light and ventilation into the car   | ■   | ■  |
| Burmester® surround sound system       | 13 speakers and a 9-channel amplifier with total output of 590 watts   | –   | ■  |
| MULTIBEAM LED Intelligent Light System | Headlamps with 84 individually-controlled LEDs, integrated daytime running lamps, Active Light System, cornering light function, motorway mode function, enhanced fog lamp function, Adaptive Highbeam Assist and locator lighting | –   | ■  |



## Pricing summary for model and equipment lines

| Model                          | Transmission                 | Recommended OTR price (£) <sup>1</sup> |            |                 |           |                  |                       |              |                      |                           |
|--------------------------------|------------------------------|--|------------|-----------------|-----------|------------------|-----------------------|--------------|----------------------|---------------------------|
|                                |                              | SE                                     | SE Premium | SE Premium Plus | AMG Line  | AMG Line Premium | AMG Line Premium Plus | Mercedes-AMG | Mercedes-AMG Premium | Mercedes-AMG Premium Plus |
| <b>Saloon</b>                  |                              |  |            |                 |           |                  |                       |              |                      |                           |
| <b>E 200 d</b>                 | 9G-TRONIC PLUS 9-speed auto. | 34,440.00                              | 37,235.00  | 38,335.00       | 36,935.00 | 39,730.00        | 40,830.00             | -            | -                    | -                         |
| <b>E 220 d</b>                 | 9G-TRONIC PLUS 9-speed auto. | 35,935.00                              | 38,730.00  | 39,830.00       | 38,430.00 | 41,225.00        | 42,325.00             | -            | -                    | -                         |
| <b>E 350 d</b>                 | 9G-TRONIC PLUS 9-speed auto. | 44,930.00                              | 47,725.00  | 48,825.00       | 47,425.00 | 50,220.00        | 51,320.00             | -            | -                    | -                         |
| <b>E 350 e</b>                 | 9G-TRONIC PLUS 9-speed auto. | 44,930.00                              | 47,725.00  | 48,825.00       | 47,425.00 | 50,220.00        | 51,320.00             | -            | -                    | -                         |
| <b>Mercedes-AMG E43 4MATIC</b> | 9G-TRONIC PLUS 9-speed auto. | -                                      | -          | -               | -         | -                | -                     | 55,695.00    | 58,490.00            | 59,590.00                 |
| <b>Estate</b>                  |                              |  |            |                 |           |                  |                       |              |                      |                           |
| <b>E 220 d</b>                 | 9G-TRONIC PLUS 9-speed auto. | 37,935.00                              | 40,730.00  | 41,830.00       | 40,430.00 | 43,225.00        | 44,325.00             |              |                      |                           |

<sup>1</sup>Recommended on-the-road price: these prices reflect the Road Fund Licence applicable to the standard model plus £670.00 additional costs necessary to put your car on the road.

Included are a standard UK delivery charge (£540.00 incl. VAT), new vehicle registration fee (£55.00), number plates (£25.00 incl. VAT) and fuel (£50.00 incl. VAT). VAT is calculated at the standard rate of 20%



# Standard equipment

| Item   | E200d & E220d SE | E350d & E350e SE | E200d & E220d AMG Line | E350d & E350e AMG Line | Mercedes-AMG E43 4MATIC |
|--|------------------|------------------|------------------------|------------------------|-------------------------|
| <b>Transmission and Suspension</b>   |                  |                  |                        |                        |                         |
| Agility Control suspension with selective damping system and lowering by 15 mm   | ●                | –                | –                      | –                      | –                       |
| AIR BODY CONTROL air suspension<br>The multi-chamber air suspension reduces rolling movements, increases ride comfort and stability. In combination with DYNAMIC SELECT, four pre-set modes (Comfort, Comfort+, Sport and Sport+) are available to deliver a tailored driving experience | ○                | ●                | ○                      | ●                      | ●                       |
| DYNAMIC SELECT with a choice of driving modes: ECO, Comfort, Sport, Sport+ and Individual  | ●                | ●                | ●                      | ●                      | ●                       |
| ECO start/stop function  | ●                | ●                | ●                      | ●                      | ●                       |
| <b>Exterior</b>  |                  |                  |                        |                        |                         |
| Mirror package – electrically folding mirrors and automatically-dimming exterior driver's mirror and rear-view mirror  | ●                | ●                | ●                      | ●                      | ●                       |
| 23-litre AdBlue tank (diesel engines only)   | ●                | ●                | ●                      | ●                      | –                       |
| 50-litre fuel tank (E350e only)  | –                | ●                | –                      | ●                      | –                       |
| 66-litre fuel tank (except E350e)  | ●                | ●                | ●                      | ●                      | ●                       |
| Active Parking Assist including PARKTRONIC   | ●                | ●                | ●                      | ●                      | ●                       |
| AMG bodystyling – front and rear aprons, side skirts   | –                | –                | ●                      | ●                      | ●                       |
| Charging cable for household socket (mode 2) – 4 m, 8 A (E350e only)   | –                | ●                | –                      | ●                      | –                       |
| Charging cable for wallbox and public charging stations (mode 3) – 4 m, 16 A (E350e only)  | –                | ●                | –                      | ●                      | –                       |
| EASY-PACK automatic powered tailgate (E220d Estate only)   | ●                | –                | ●                      | –                      | –                       |

| Item   | E200d & E220d SE | E350d & E350e SE | E200d & E220d AMG Line | E350d & E350e AMG Line | Mercedes-AMG E43 4MATIC |
|--|------------------|------------------|------------------------|------------------------|-------------------------|
| Exterior mirrors – heated and electronically adjustable                                    | ●                | ●                | ●                      | ●                      | ●                       |
| Headlamps – LED High Performance including integral LED daytime running lamps              | ●                | ●                | ●                      | ●                      | ●                       |
| Heated windscreen wash   | ●                | ●                | ●                      | ●                      | ●                       |
| Perforated front brake discs and brake calipers with 'AMG' lettering                       | –                | –                | –                      | –                      | ●                       |
| Perforated front brake discs and brake calipers with 'Mercedes-Benz' lettering             | –                | –                | ●                      | ●                      | –                       |
| Radiator grille with integrated star – two louvres in matt iridium silver with chrome trim | ●                | ●                | ●                      | ●                      | ●                       |
| Rain-sensing windscreen wipers   | ●                | ●                | ●                      | ●                      | ●                       |
| Rear lights – LED  | ●                | ●                | ●                      | ●                      | ●                       |
| Reversing camera   | ●                | ●                | ●                      | ●                      | ●                       |
| Roof rails – chrome (E220d Estate only)  | ●                | –                | ●                      | –                      | –                       |
| Run-flat tyres   | –                | –                | ●                      | ●                      | ●                       |
| Tinted glass all round – green   | ●                | ●                | ●                      | ●                      | ●                       |
| TIREFIT with tyre inflation compressor   | ●                | ●                | –                      | –                      | –                       |
| Top surround of side windows in high-gloss black   | –                | –                | –                      | –                      | ●                       |
| Top surround of side windows in polished aluminium   | ●                | ●                | ●                      | ●                      | –                       |
| Visible twin-pipe exhaust system integrated into the bumper                                | ●                | ●                | ●                      | ●                      | ●                       |
| Waistline in high-gloss black  | –                | –                | –                      | –                      | ●                       |
| Waistline in polished aluminium  | ●                | ●                | ●                      | ●                      | –                       |



| Item  | E200d & E220d SE | E350d & E350e SE | E200d & E220d AMG Line | E350d & E350e AMG Line | Mercedes-AMG E43 4MATIC |
|---|------------------|------------------|------------------------|------------------------|-------------------------|
| <b>Interior</b>   |                  |                  |                        |                        |                         |
| Seat Comfort package – driver and front passenger seat<br>Electro-pneumatic four-way lumbar support<br>Manual seat cushion depth adjustment (6 cm)  | ○                | ○                | ●                      | ●                      | ●                       |
| Stowage package – double cup holder in centre console for 2×750 ml, two fluorescent jackets, map pockets on rear of front seats, bag hooks under parcel shelf, net on luggage compartment floor | ●                | ●                | ●                      | ●                      | ●                       |
| Analogue clock on centre console  | ●                | ●                | ●                      | ●                      | ●                       |
| Automatic climate control – two-zone  | ●                | ●                | ●                      | ●                      | ●                       |
| Central stowage compartment with 12V socket in centre console   | ●                | ●                | ●                      | ●                      | ●                       |
| Courtesy lights in rear grab handles with reading light functionality   | ●                | ●                | ●                      | ●                      | ●                       |
| Door pins in chrome   | -                | -                | ●                      | ●                      | ●                       |
| Electric windows (4) – with one-touch opening and closing, including obstruction sensors  | ●                | ●                | ●                      | ●                      | ●                       |
| Electronic key - chrome surround  | ●                | ●                | ●                      | ●                      | ●                       |
| Floor mats with 'AMG' lettering   | -                | -                | ●                      | ●                      | ●                       |
| Front centre armrest with stowage compartment   | ●                | ●                | ●                      | ●                      | ●                       |
| Front door sill panels with 'Mercedes-Benz' lettering   | ●                | ●                | ●                      | ●                      | ●                       |
| Glasses compartment in overhead control panel   | ●                | ●                | ●                      | ●                      | ●                       |
| Glove compartment – illuminated   | ●                | ●                | ●                      | ●                      | ●                       |

| Item   | E200d & E220d SE | E350d & E350e SE | E200d & E220d AMG Line | E350d & E350e AMG Line | Mercedes-AMG E43 4MATIC |
|--|------------------|------------------|------------------------|------------------------|-------------------------|
| Head restraints for driver and front passenger (four-way adjustability) and in rear (two-way)  | ●                | ●                | ●                      | ●                      | ●                       |
| Instrument cluster with two tube-design round dials and 8.4-inch TFT multi-function display  | ●                | ●                | ●                      | ●                      | ●                       |
| Interior 64-colour ambient lighting – multi-colour LED lighting of trim on dashboard, centre console, and front and rear door panelling; in front and rear door pockets, cup holder and stowage compartment, rear footwell and rear door handle recesses | ●                | ●                | ●                      | ●                      | ●                       |
| KEYLESS-GO starting function   | ●                | ●                | ●                      | ●                      | ●                       |
| Outside temperature display  | ●                | ●                | ●                      | ●                      | ●                       |
| Seats – four-way partially electric seat adjustment  | ●                | ●                | ●                      | ●                      | ●                       |
| Seats – front, heated  | ●                | ●                | ●                      | ●                      | ●                       |
| Seats – rear split folding 40:20:40 (Saloon)   | ○                | ○                | ○                      | ○                      | ●                       |
| Seats – rear split folding 40:20:40 (E 220 d Estate only)  | ●                | -                | ●                      | -                      | -                       |
| Service indicator ASSYST   | ●                | ●                | ●                      | ●                      | ●                       |
| Sports pedals in brushed stainless steel with rubber studs   | ●                | ●                | ●                      | ●                      | ●                       |
| Sun visors with illuminated vanity mirrors   | ●                | ●                | ●                      | ●                      | ●                       |
| Trip computer in multi-function display showing current fuel consumption   | ●                | ●                | ●                      | ●                      | ●                       |



| Item  | E200d & E220d SE | E350d & E350e SE | E200d & E220d AMG Line | E350d & E350e AMG Line | Mercedes-AMG E43 4MATIC |
|---|------------------|------------------|------------------------|------------------------|-------------------------|
| <b>Steering</b>   |                  |                  |                        |                        |                         |
| Direct-Steer speed sensitive steering   | ●                | ●                | ●                      | ●                      | ●                       |
| Steering column - manually adjustable for height and reach  | ●                | ●                | ●                      | ●                      | ●                       |
| Steering wheel - 3-spoke in black nappa leather   | ●                | ●                | -                      | -                      | -                       |
| Steering wheel - 3-spoke multi-function AMG steering wheel with touch control buttons, trimmed in black nappa leather with flattened bottom section | -                | -                | ●                      | ●                      | ●                       |
| Steering wheel - multi-function, with gearshift paddles   | ●                | ●                | ●                      | ●                      | ●                       |
| Steering wheel - touch-control buttons for audio and onboard settings   | ●                | ●                | ●                      | ●                      | ●                       |

## Item

## Paint, Trim and Upholstery

| Item   | E200d & E220d SE | E350d & E350e SE | E200d & E220d AMG Line | E350d & E350e AMG Line | Mercedes-AMG E43 4MATIC |
|--|------------------|------------------|------------------------|------------------------|-------------------------|
| <b>Paint, Trim and Upholstery</b>  |                  |                  |                        |                        |                         |
| Paint - non-metallic   | ●                | ●                | ●                      | ●                      | ●                       |
| Trim - centre console, high-gloss black  | ●                | ●                | ●                      | ●                      | ●                       |
| Trim - dashboard and door, aluminium with trapeze cut                          | ●                | ●                | ○                      | ○                      | ●                       |
| Trim - dashboard and door, black open-pore ash wood                            | ○                | ○                | ●                      | ●                      | ○                       |
| Trim - upper dashboard, ARTICO leather <sup>1</sup> with contrast topstitching | -                | -                | ●                      | ●                      | ●                       |
| Upholstery - leather   | ●                | ●                | -                      | -                      | -                       |
| Upholstery - nappa leather   | -                | -                | ○                      | ○                      | ●                       |
| Upholstery - ARTICO leather <sup>1</sup> /DINAMICA microfibre                  | -                | -                | ●                      | ●                      | -                       |

| Item   | E200d & E220d SE | E350d & E350e SE | E200d & E220d AMG Line | E350d & E350e AMG Line | Mercedes-AMG E43 4MATIC |
|--|------------------|------------------|------------------------|------------------------|-------------------------|
| <b>Safety and Assistance Systems</b>   |                  |                  |                        |                        |                         |
| Active bonnet – pedestrian safety measure which detects an impact and raises bonnet                      | ●                | ●                | ●                      | ●                      | ●                       |
| Active Brake Assist (formerly COLLISION PREVENTION ASSIST)   | ●                | ●                | ●                      | ●                      | ●                       |
| Adaptive brake lights  | ●                | ●                | ●                      | ●                      | ●                       |
| Adaptive Brake System with HOLD function and brake drying in the wet                                     | ●                | ●                | ●                      | ●                      | ●                       |
| Airbag – kneebag for driver  | ●                | ●                | ●                      | ●                      | ●                       |
| Airbags – driver and front passenger, with extended adaptivity for front passenger airbag                | ●                | ●                | ●                      | ●                      | ●                       |
| Airbags – sidebag for driver and front passenger (combined thorax/pelvis bag)                            | ●                | ●                | ●                      | ●                      | ●                       |
| Airbags – windowbags   | ●                | ●                | ●                      | ●                      | ●                       |
| Alarm system with immobiliser and interior protection  | ●                | ●                | ●                      | ●                      | ●                       |
| Anti-lock braking system (ABS)   | ●                | ●                | ●                      | ●                      | ●                       |
| ATTENTION ASSIST – can help alert to long journey fatigue  | ●                | ●                | ●                      | ●                      | ●                       |
| Automatic child seat recognition sensor  | ●                | ●                | ●                      | ●                      | ●                       |
| Brake wear warning display   | ●                | ●                | ●                      | ●                      | ●                       |
| Central locking with interior switch, automatic locking and crash sensor with emergency opening function | ●                | ●                | ●                      | ●                      | ●                       |
| Childproof locks – manually operated for rear doors and electrically operated for rear power windows     | ●                | ●                | ●                      | ●                      | ●                       |

| Item   | E200d & E220d SE | E350d & E350e SE | E200d & E220d AMG Line | E350d & E350e AMG Line | Mercedes-AMG E43 4MATIC |
|--|------------------|------------------|------------------------|------------------------|-------------------------|
| Cruise control with SPEEDTRONIC variable speed limiter   | ●                | ●                | ●                      | ●                      | ●                       |
| Diesel Particulate Filter (DPF) – all diesel engines   | ●                | ●                | ●                      | ●                      | –                       |
| Electric parking brake   | ●                | ●                | ●                      | ●                      | ●                       |
| Electronic Stability Programme (ESP®)  | ●                | ●                | ●                      | ●                      | ●                       |
| First-aid kit and warning triangle   | ●                | ●                | ●                      | ●                      | ●                       |
| Incorrect fuelling protection (diesel models only)   | ●                | ●                | ●                      | ●                      | –                       |
| ISOFIX child seat attachment points – two outer rear seats   | ●                | ●                | ●                      | ●                      | ●                       |
| Parking Pilot including PARKTRONIC front and rear parking sensors<br>The system automatically steers the vehicle into parking spaces. Bay and parallel parking capable | ●                | ●                | ●                      | ●                      | ●                       |
| PRE-SAFE® anticipatory safety system   | ●                | ●                | ●                      | ●                      | ●                       |
| Remote boot release  | ●                | ●                | ●                      | ●                      | ●                       |
| Seat belts – three-point   | ●                | ●                | ●                      | ●                      | ●                       |
| Seat occupancy sensor for front passenger seat   | ●                | ●                | ●                      | ●                      | ●                       |
| Status display for rear seat belts in instrument cluster   | ●                | ●                | ●                      | ●                      | ●                       |
| Tyre pressure monitoring system  | ●                | ●                | ●                      | ●                      | ●                       |



| Item  | E200d & E220d SE | E350d & E350e SE | E200d & E220d AMG Line | E350d & E350e AMG Line | Mercedes-AMG E43 4MATIC |
|---|------------------|------------------|------------------------|------------------------|-------------------------|
| <b>Communications and In-Car Entertainment</b>  |                  |                  |                        |                        |                         |
| Audio 20 USB, including control wheel with integrated Media Interface port for iPod® or iPhone® and Bluetooth® interface with hands-free function   | ●                | ●                | ●                      | ●                      | ●                       |
| DAB digital radio   | ●                | ●                | ●                      | ●                      | ●                       |
| COMAND Online system <sup>1</sup> with Media Interface and touchpad<br>Please refer to page 28  | ○                | ●                | ○                      | ●                      | ●                       |
| Garmin® MAP PILOT navigation system<br>Operation via controller, touchpad or voice control. SD card navigation with instructions shown on 8.4-inch high-resolution colour display and in the instrument cluster. Includes 3D views with visualisation of roads and buildings as well as junction and lane assistants, making it easy for drivers to orientate themselves. Spoken instructions are emitted through vehicle's built-in speakers. Software and map can be updated online | ●                | -                | ●                      | -                      | -                       |
| Mercedes me connect (standard services)<br>Including emergency call system (eCall), accident recovery, breakdown and maintenance management   | ●                | ●                | ●                      | ●                      | ●                       |
| Mercedes me connect (Remote Online)<br>Onboard use of the remote door locking and unlocking, remote interrogation of vehicle status. Remote Online subscription services are limited to three years from initial registration, and can be extended at additional cost   | ○                | -                | ○                      | -                      | -                       |

| Item   | E200d & E220d SE | E350d & E350e SE | E200d & E220d AMG Line | E350d & E350e AMG Line | Mercedes-AMG E43 4MATIC |
|--|------------------|------------------|------------------------|------------------------|-------------------------|
| Mercedes me connect vehicle monitoring – includes:<br>Geofencing<br>Parked vehicle locator<br>Remote door locking/unlocking<br>Remote retrieval of vehicle status<br>Vehicle tracker | ○                | ●                | ○                      | ●                      | ●                       |
| Smartphone integration via Android Auto or Apple CarPlay™, Media Interface, USB and Bluetooth® interface   | ○                | ●                | ○                      | ●                      | ●                       |
| Touchpad with control wheel  | ○                | ●                | ○                      | ●                      | ●                       |
| High-resolution 8.4-inch multimedia colour display   | ●                | -                | ●                      | -                      | -                       |
| High-resolution 12.3-inch multimedia colour display  | ○                | ●                | ○                      | ●                      | ●                       |
| Radio aerial integrated into rear window   | ●                | ●                | ●                      | ●                      | ●                       |
| USB port in centre console   | ●                | ●                | ●                      | ●                      | ●                       |



> View offers



> Find out more






> Find a Retailer






> View the Range Guide

# A revolution in style

| Item   | Notes                   |  |     |   |                  |                  |                        | Basic RRP<br>excl. VAT (£) | Total RRP<br>incl. VAT (£) |
|--|-------------------------|--|-----|---|------------------|------------------|------------------------|----------------------------|----------------------------|
| <b>Wheels</b>  |                         |  |     |   |                  |                  |                        |                            |                            |
| 17" alloy wheels (4) – 5-spoke design, painted in vanadium silver<br>front: 225/55 tyres<br>rear: 225/55 tyres                       |                         |    | 02R | ● | -                | -                | -                      | -                          | -                          |
|  |                         |  |     |   | E200d & E220d SE | E350d & E350e SE | E200d & E220d AMG Line | E350d & E350e AMG Line     | Mercedes-AMG E43 4MATIC    |
| 18" alloy wheels (4) – 5-spoke design, painted in vanadium silver<br>front: 245/45 tyres<br>rear: 245/45 tyres                       | Not available for E350e |   | R96 | - | ●                | -                | -                      | -                          | -                          |
| 18" alloy wheels (4) – 5-spoke design, painted in tremolite grey with high-sheen finish<br>front: 245/45 tyres<br>rear: 275/40 tyres | Not available for E350e |  | R31 | ○ | -                | -                | -                      | 495.83                     | 595.00                     |
|  |                         |  |     | - | ○                | -                | -                      | 162.50                     | 195.00                     |

● Standard ○ Optional - Not available



| Item   | Notes                    |  |     |                    |                    |                          |                          |                          | Basic RRP<br>excl. VAT (£) | Total RRP<br>incl. VAT (£) |
|--|--------------------------|--|-----|--------------------|--------------------|--------------------------|--------------------------|--------------------------|----------------------------|----------------------------|
| <b>Wheels (continued)</b>  |                          |  |     |                    |                    |                          |                          |                          |                            |                            |
| 18" alloy wheels (4) – 5-twin-spoke design, painted in tremolite grey with high sheen finish<br>front: 245/45 tyres<br>rear: 275/40 tyres    | E 350e only              |    | 2ZR | -                  | ●                  | -                        | -                        | -                        | -                          | -                          |
|  |                          |  |     | E 200d & E 220d SE | E 350d & E 350e SE | E 200d & E 220d AMG Line | E 350d & E 350e AMG Line | Mercedes-AMG E 43 4MATIC |                            |                            |
| 19" AMG alloy wheels (4) – 5-twin-spoke design, painted in titanium grey with high-sheen finish<br>front: 245/40 tyres<br>rear: 275/35 tyres |                          |   | RTD | -                  | -                  | ●                        | ●                        | -                        | -                          | -                          |
| 20" AMG alloy wheels (4) – multi-spoke design, painted in titanium grey with high-sheen finish<br>front: 245/35 tyres<br>rear: 275/30 tyres  | Not available for E 350e |  | RVQ | -                  | -                  | ○                        | ○                        | -                        | 495.83                     | 595.00                     |





> View offers



> Find out more



> Find a Retailer



> View the Range Guide

| Item   | Notes |  | RTE | - | - | - | - | ● |   | Basic RRP<br>excl. VAT (£) | Total RRP<br>incl. VAT (£) |
|--|-------|--|-----|---|---|---|---|---|---|----------------------------|----------------------------|
| <b>Wheels (continued)</b>  |       |  |     |   |   |   |   |   |   |                            |                            |
| 19" AMG alloy wheels (4) – 5-twin-spoke design, bicolour finish<br>front: 245/40 tyres<br>rear: 275/35 tyres                                   |       |  | -   | - | - | - | - | ● |   | -                          | -                          |
| 20" AMG alloy wheels (4) – 5-twin-spoke design, bicolour finish<br>front: 245/35 tyres<br>rear: 275/30 tyres                                   |       |  | RTO | - | - | - | - | - | ○ | 495.83                     | 595.00                     |
| 20" AMG alloy wheels (4) – multi-spoke-design, painted in high-gloss black with high-sheen finish<br>front: 245/35 tyres<br>rear: 275/30 tyres |       |  | RVR | - | - | - | - | - | ○ | 495.83                     | 595.00                     |

E200d & E220d SE  
E350d & E350e SE  
E200d & E220d AMG Line  
E350d & E350e AMG Line  
Mercedes-AMG E43 4MATIC

● Standard ○ Optional - Not available

## Lane Tracking package



Blind Spot Assist

The Lane Tracking package includes Blind Spot Assist and Active Lane Keeping Assist – highly intelligent features to help you stay safe on the road by making the drive more effortless, and to alert you to any emergency.

**Lane Tracking package** – designed and priced as a package, including features listed below.

**All models**

**Total incl. VAT £595.00**

---

**Lane Tracking package** (code 22P)

---

Blind Spot Assist – visible warning in exterior mirrors if a vehicle is detected in blind spot, audible warning if indicating to move out of lane

---

Active Lane Keeping Assist – can warn a driver who is unintentionally drifting out of lane and help to return the vehicle to its lane by one-sided braking intervention

---

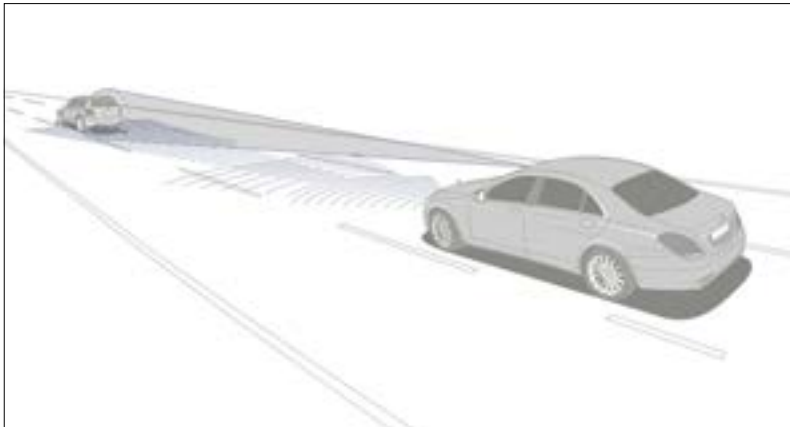
# Driving Assistance Plus package

The Driving Assistance Plus package contains a range of highly intelligent features to help you stay safe on the road – by making the drive more effortless, by warning of danger, and by taking steps to protect you in an emergency.

**Driving Assistance Plus package** – designed and priced as a package, including items as listed.

**All models**

**Total incl. VAT £1,695.00**



Distance Pilot DISTRONIC

## Driving Assistance Plus package (code P20)

### DRIVE PILOT

DRIVE PILOT comprehensively supports the driver with Steering Pilot with extended tolerance for Hands-off Warning and Active Emergency Stop Assist, Distance Pilot DISTRONIC with extended automatic moving off again in a tailback (in conjunction with Parking Pilot) and Speed Limit Pilot (in conjunction with COMAND Online)

### Active Brake Assist

Active Brake Assist with cross-traffic function and tailback emergency braking function can help to avoid accidents with vehicles ahead, crossing traffic and also pedestrians, and/or mitigate their consequences

### Evasive Steering Assist

Evasive Steering Assist can support the driver in making evasive manoeuvres if, in a dangerous situation, he/she moves to avoid any pedestrian detected by the system

### Active Blind Spot Assist

Active Blind Spot Assist can warn the driver of vehicles in the blind spot during a lane change and can help to avoid a collision by means of one-sided braking intervention

### Active Lane Keeping Assist

Active Lane Keeping Assist can warn drivers when they unintentionally leave their lane and can use one-sided braking intervention to help manoeuvre the vehicle back into its lane (including in the case of broken lane markings if there is a risk of collision)

### PRE-SAFE® PLUS

When a rear-end collision threatens, PRE-SAFE® PLUS can initiate preventive measures to protect the occupants, including warning following traffic and locking the brakes on standstill

### PRE-SAFE® Impulse Side

PRE-SAFE® Impulse Side can prepare the front occupants for a side impact with a lateral impulse, and reduce the risk of injury

# COMAND Online system



**COMAND Online system<sup>1</sup> with Media Interface and touchpad** – designed and priced as a package, including items as listed below.

**E 200 d and E 220 d (standard on E 350 d, E 350 e and Mercedes-AMG E 43 4MATIC) Total incl. VAT £1,495.00**

**COMAND Online system:** (code 531)

Media Interface and touchpad with control wheel and 12.3-inch colour display. Integrated WLAN hotspot for onboard access of WLAN-enabled devices

**Navigation**

Hard disk drive (HDD) navigation with 3D map display, Live Traffic Information and European map data online updates free of charge (first three years), Speed Limit Assist and LINGUATRONIC voice control

**Connectivity**

Smartphone integration via Android Auto or Apple CarPlay™, Media Interface, USB and Bluetooth® interface for hands-free telephony. Connection and control of portable media devices (e.g. MP3 player, USB storage media)

**Mercedes me connect**

Integration of online content (e.g. fuel prices) in navigation map, Car-to-X communication and Concierge Service providing personal support by telephone in the search for interesting locations (POI), restaurants or hotels (free of charge for one year). For availability please check with your Retailer

**12.3-inch cockpit display**

Creates one floating screen combined with 12.3-inch COMAND display allowing clearer display of assistance systems and featuring Ambient lighting surrounding the screens. Customisable display options with 3 display styles ‘Classic’, ‘Sport’ and ‘Progressive’

**Optional in conjunction with COMAND Online Total incl. VAT £495.00**

<sup>1</sup>COMAND Online functionality and Wi-Fi connectivity is dependent on a compatible cellular data connection. Please check with your local Mercedes-Benz Retailer on network compatibility

# Optional equipment

| Item  | Notes   |     |   |   |   |   |   | Basic RRP<br>excl. VAT (£) | Total RRP<br>incl. VAT (£) |
|---|---|-----|---|---|---|---|---|----------------------------|----------------------------|
| <b>Suspension and Handling</b>  |   |     |   |   |   |   |   |                            |                            |
| AIR BODY CONTROL air suspension<br>The multi-chamber air suspension reduces rolling movements, increases ride comfort and stability. In combination with DYNAMIC SELECT, four pre-set modes (Comfort, Comfort+, Sport and Sport+) are available to deliver a tailored driving experience                |   | 489 | ○ | ● | ○ | ● | ● | 1,245.83                   | 1,495.00                   |
| <div style="display: flex; justify-content: space-between; font-size: 8px; margin-top: 10px;"> <span>E 200d &amp; E 220d SE</span> <span>E 350d &amp; E 350e SE</span> <span>E 200d &amp; E 220d AMG Line</span> <span>E 350d &amp; E 350e AMG Line</span> <span>Mercedes-AMG E 43 4MATIC</span> </div> |   |     |   |   |   |   |   |                            |                            |
| <b>Exterior</b>   |   |     |   |   |   |   |   |                            |                            |
| 360° camera<br>Four networked cameras in front grille, wing mirror and boot. Information from PARKTRONIC on vehicle contours shown, and rear guidelines included  |   | P44 | ○ | ○ | ○ | ○ | ○ | 279.17                     | 335.00                     |
| Charging cable for household socket (mode 2) – 8 m, 8 A   | Replaces standard charging cable for household socket (mode 2) – 4 m, 8 A (E 350 e only)                      | B81 | - | ○ | - | ○ | - | <b>no-cost option</b>      |                            |
| Charging cable for wall box and public charging stations (mode 3) – 8 m, 16 A   | Replaces standard charging cable for wallbox and public charging stations (mode 3) – 4 m, 16 A (E 350 e only) | B83 | - | ○ | - | ○ | - | <b>no-cost option</b>      |                            |
| Charging cable industrial socket-PIN IEC 60309 CEE (mode 2) – 4 m, 8 A  | In addition to standard charging cables (E 350 e only)  | B32 | - | ○ | - | ○ | - | 312.50                     | 375.00                     |
| Charging cable industrial socket-PIN IEC 60309 CEE (mode 2) – 8 m, 8 A  | In addition to standard charging cables (E 350 e only)  | B82 | - | ○ | - | ○ | - | 312.50                     | 375.00                     |
| Privacy glass<br>Includes side windows rear of B-pillar and rear windscreen   |   | 840 | ○ | ○ | ○ | ○ | ○ | 287.50                     | 345.00                     |
| Tow bar, fully electric – includes 13-pin socket<br>When ordering, please discuss with your Retailer any specific electrical towing requirements  |   | 550 | ○ | ○ | ○ | ○ | - | 579.17                     | 695.00                     |

| Item   | Notes  |     | E200d & E220d SE | E350d & E350e SE | E200d & E220d AMG Line | E350d & E350e AMG Line | Mercedes-AMG E43 4MATIC | Basic RRP<br>excl. VAT (£) | Total RRP<br>incl. VAT (£) |
|--|--|-----|------------------|------------------|------------------------|------------------------|-------------------------|----------------------------|----------------------------|
| <b>Paint, Trim and Upholstery</b>                                      |  |     |                  |                  |                        |                        |                         |                            |                            |
| Metallic paint   |  | 1   | ○                | ○                | ○                      | ○                      | ○                       | 537.50                     | 645.00                     |
| designo metallic paint   | Please check with your Retailer for availability | 1   | ○                | ○                | ○                      | ○                      | ○                       | 745.83                     | 895.00                     |
| Available in:<br>designo diamond white 799<br>designo hyacinth red 996 |  |     |                  |                  |                        |                        |                         |                            |                            |
| designo selenite grey magno paint                                      | Please check with your Retailer for availability | 297 | ○                | ○                | ○                      | ○                      | ○                       | 1,495.83                   | 1,795.00                   |
| Trim – dashboard and door, aluminium with trapeze cut                  |  | 739 | ●                | ●                | ○                      | ○                      | ●                       | <b>no-cost option</b>      |                            |
| Trim – dashboard and door, black open-pore ash wood                    | Centre console remains high-gloss black          | 736 | ○                | ○                | ●                      | ●                      | ○                       | 162.50                     | 195.00                     |
| Trim – dashboard and door, brown open-pore ash wood                    | Centre console remains high-gloss black          | H09 | ○                | ○                | -                      | -                      | -                       | 162.50                     | 195.00                     |
| Trim – dashboard and door, metal weave                                 | Centre console remains high-gloss black          | H64 | ○                | ○                | ○                      | ○                      | ○                       | 304.17                     | 365.00                     |
| Trim – dashboard and door, designo piano lacquer, black flowing lines  | Centre console remains high-gloss black          | H16 | -                | -                | ○                      | ○                      | ○                       | 537.50                     | 645.00                     |
| Upholstery – nappa leather   |  | 1   | -                | -                | ○                      | ○                      | ●                       | 1,329.17                   | 1,595.00                   |

| Item   | Notes  |     |   |   |   |   |   | Basic RRP<br>excl. VAT (£) | Total RRP<br>incl. VAT (£) |
|--|--|-----|---|---|---|---|---|----------------------------|----------------------------|
| <b>Comfort</b>   |  |     |   |   |   |   |   |                            |                            |
| Air-Balance package<br>Interior fragrance dispenser. Fragrance can be changed by exchanging the flasks in the glove compartment. Intensity and duration of fragrance diffusion can be adjusted. Oxygen ionisation and improved filtering system  | Contact your Retailer for information about available fragrances                           | P21 | ○ | ○ | ○ | ○ | ○ | 245.83                     | 295.00                     |
| Seat Comfort package – driver and front passenger seat<br>Electro-pneumatic four-way lumbar support<br>Manual seat cushion depth adjustment (6 cm)   | Replaced by Memory package with Premium or Premium Plus equipment lines (code DP0 and DP1) | P65 | ○ | ○ | ● | ● | ● | 162.50                     | 195.00                     |
| Closing aid for doors<br>Power closing ensures smooth and virtually silent closing. Once they have initially engaged, the front and rear doors are automatically drawn closed by servo motors  |  | 883 | ○ | ○ | ○ | ○ | ○ | 362.50                     | 435.00                     |
| Rear seats – heated  | Only in conjunction with leather or nappa leather upholstery                               | 872 | ○ | ○ | ○ | ○ | ○ | 245.83                     | 295.00                     |
| Seats – rear, split folding 40:20:40   | Standard with Estate   | 287 | ○ | ○ | ○ | ○ | ● | 287.50                     | 345.00                     |
| THERMOTRONIC – luxury automatic climate control, rear<br>Automatic climate control system with three climate zones and three climate modes. The driver and front passenger are able to regulate temperature and air distribution independently.<br>Temperature and airflow for the rear can be adjusted separately |  | 581 | ○ | ○ | ○ | ○ | ○ | 625.00                     | 750.00                     |
| <b>Safety and Assistance Systems</b>   |  |     |   |   |   |   |   |                            |                            |
| Driving Assistance Plus package  | Please refer to page 27 for more information   | P20 | ○ | ○ | ○ | ○ | ○ | 1,412.50                   | 1,695.00                   |
| Lane Tracking package  | Please refer to page 26 for more information   | 22P | ○ | ○ | ○ | ○ | ○ | 495.83                     | 595.00                     |

| Item   | Notes   |     |   |   |   |   |   | Basic RRP<br>excl. VAT (£) | Total RRP<br>incl. VAT (£) |
|--|---|-----|---|---|---|---|---|----------------------------|----------------------------|
| <b>Communications and In-Car Entertainment</b>   |   |     |   |   |   |   |   |                            |                            |
| 12.3-inch cockpit display (please refer to page 28)  | Only available with COMAND Online system (code 531)   | 464 | ○ | ○ | ○ | ○ | ○ | 412.50                     | 495.00                     |
| Burmester® surround sound system<br>13 speakers and a 9-channel amplifier with total output of 590 W<br>(7 × 50 W and 2 × 120 W)   |   | 810 | ○ | ○ | ○ | ○ | ○ | 625.00                     | 750.00                     |
| COMAND Online system <sup>1</sup> with Media Interface and touchpad<br>Please refer to page 28   |   | 531 | ○ | ● | ○ | ● | ● | 1,245.83                   | 1,495.00                   |
| Head-up display<br>Virtual colour image (21 × 7 cm) in front of the driver, offering<br>information on navigation, speed, speed limits, cruise control and<br>DISTRONIC settings   | Only available with COMAND Online system (code 531)   | 463 | ○ | ○ | ○ | ○ | ○ | 687.50                     | 825.00                     |
| Mercedes me connect (Remote Online)<br>Geofencing<br>Parked vehicle locator<br>Remote door locking/unlocking<br>Remote retrieval of vehicle status<br>Vehicle tracker  | Remote Online subscription services are limited to three years from<br>initial registration, and can be extended at additional cost. Not<br>available with COMAND Online system (code 531)  | 11U | ○ | - | ○ | - | - | 125.00                     | 150.00                     |
| <b>Service Package</b>   |   |     |   |   |   |   |   |                            |                            |
| Service Care<br>Service Care allows you to spread the cost of servicing your new<br>car in the Mercedes-Benz Retailer network. Taking out a Service<br>Care plan ensures your servicing needs are taken care of by<br>fully-trained Mercedes-Benz Technicians with the added benefit of<br>a Mercedes-Benz service history | Price is based on a monthly rate. Example given is for two services<br>taken over 24 months or three services over 36 months. Further<br>payment options are available. New Service Care price applies only<br>to vehicles up to 12 months old prior to first service. Price effective<br>from 3 May 2016 | 1   | ○ | ○ | ○ | ○ | ○ | 30.83                      | 37.00                      |



# Mercedes me applications and services<sup>1</sup>

Features available via Mercedes me store: <https://mercedes-benz.com/en/mercedes-me/>

| Item  | Notes  | Notes on pricing and availability   |
|---|--|---|
| <b>Concierge Services</b><br>Available through me connect, providing personal support by telephone in the search for interesting locations (POI), restaurants or hotels   | Only available with COMAND Online system (code 531)  | <b>Free of charge for first year</b><br>Extension possible and pricing information available via Mercedes me store  |
| <b>In-Car Internet</b><br>Ability for an in-car internet service and personalised radio. Use the whole world of the internet in your vehicle by using COMAND Online as a Wi-Fi hotspot allowing unlimited access to internet radio. All you need is a Vodafone account with the corresponding data volume | Only available with COMAND Online system (code 531)  | <b>Free of charge until September 2016</b><br>Additional data plans will be available to purchase from September 2016 via Mercedes me store   |
| <b>Live Traffic</b><br>Using this service allows the reception of up-to-date and precise traffic information for optimised dynamic route guidance and a more accurate estimated time of arrival   |  | <b>Free of charge for first three years</b><br>Requires acceptance of Terms & Conditions or Mercedes me connect after first three months.<br>Extension possible and pricing information available via Mercedes me store |
| <b>Remote Parking Pilot</b><br>Allows user to park vehicle via a compatible Apple device  | Only available with 360° camera (code P44) and Premium or Premium Plus equipment line (code DPO and DP1) | <b>Available via Mercedes me store</b><br>Please refer to Mercedes me store for pricing information   |
| <b>Vehicle Settings</b><br>Personal profile of your favourite settings<br>Remote door locking and unlocking<br>Remote retrieval of vehicle status<br>Send to car function   | Only available with COMAND Online system (code 531)  | <b>Available via Mercedes me store</b><br>Please refer to Mercedes me store for pricing information   |
| <b>Vehicle Monitoring</b><br>Geofencing<br>Parked vehicle locator<br>Vehicle tracker  | Only available with COMAND Online system (code 531)  | <b>Available via Mercedes me store</b><br>Please refer to Mercedes me store for pricing information.<br>Available from September 2016   |

<sup>1</sup>Extra services available via the Mercedes Me account on new E-Class. Terms and conditions must be agreed to in the Mercedes me portal before activation



> View offers



> Find out more



> Find a Retailer

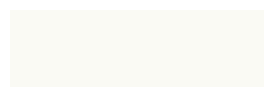


> View the Range Guide

# Colours and materials

## Non-metallic paints

Standard



149 polar white

No-cost option



040 black

## Metallic paints

Additional-cost option



197 obsidian black



988 diamond silver



775 iridium silver



992 selenite grey



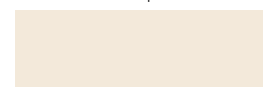
890 cavansite blue



997 kallaite green

## designo metallic paints

Additional-cost option



799 diamond white



996 hyacinth red

## designo magno paint

Additional-cost option



297 selenite grey magno



> View offers



> Find out more



> Find a Retailer



> View the Range Guide

**SE upholstery**

Leather (standard)



201A black

Leather (no-cost option)



214A hazelnut brown/black



215A macchiato beige/black

**SE trim**

Standard



739 aluminium with trapeze cut

Optional



736 black open-pore ash wood



H09 brown open-pore ash wood



H64 metal weave

**AMG Line upholstery**

ARTICO<sup>1</sup>/DINAMICA<sup>2</sup> (standard)



601A black

Nappa leather (optional)



811A black



824A saddle brown/black

**AMG Line trim**

Standard



736 black open-pore ash wood

Optional



739 aluminium with trapeze cut<sup>3</sup>



H64 metal weave



H16 designo piano lacquer,  
black flowing lines

**Mercedes-AMG E43 4MATIC upholstery**

Nappa leather (standard)

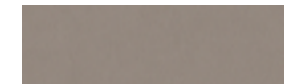


821A black with red  
contrast stitching

Nappa leather (no-cost option)



864A hazelnut brown



865A macchiato beige

**Mercedes-AMG E43 4MATIC trim**

Standard



739 aluminium with trapeze cut

Optional



736 black open-pore ash wood



H64 metal weave



H16 designo piano lacquer,  
black flowing lines

<sup>1</sup>ARTICO man-made leather <sup>2</sup>DINAMICA microfibre <sup>3</sup>No-cost option

## Trim and upholstery combinations

|                             | SE                 |                             |                              | AMG Line                  |                          |                           | Mercedes-AMG E 43 4MATIC                 |                       |                        |
|-----------------------------|--------------------|-----------------------------|------------------------------|---------------------------|--------------------------|---------------------------|--|-----------------------|------------------------|
|                             | Leather (standard) |                             |                              | ARTICO <sup>1</sup> (std) | Nappa leather (optional) |                           | Nappa leather (standard)                 |                       |                        |
|                             | black (201A)       | hazelnut brown/black (214A) | macchiato beige/black (215A) | black (601A)              | black (811A)             | saddle brown/black (824A) | black with red contrast stitching (821A) | hazelnut brown (864A) | macchiato beige (865A) |
| <b>Dashboard</b>            |                    |                             |                              |                           |                          |                           |  |                       |                        |
| Steering wheel              | black              | black                       | black                        | black                     | black                    | black                     | black                                    | black                 | black                  |
| Upper dashboard trim        | black              | black                       | black                        | black                     | black                    | black                     | black                                    | black                 | black                  |
| Lower dashboard trim        | black              | hazelnut brown              | macchiato beige              | black                     | black                    | saddle brown              | black                                    | hazelnut brown        | macchiato beige        |
| <b>Seats</b>                |                    |                             |                              |                           |                          |                           |  |                       |                        |
| Seat cushion centre section | black              | hazelnut brown              | macchiato beige              | black                     | black                    | saddle brown              | black                                    | hazelnut brown        | macchiato beige        |
| Side bolster trim           | black              | hazelnut brown              | macchiato beige              | black                     | black                    | saddle brown              | black                                    | hazelnut brown        | macchiato beige        |
| Head restraint              | black              | hazelnut brown              | macchiato beige              | black                     | black                    | saddle brown              | black                                    | hazelnut brown        | macchiato beige        |
| Seat belt                   | black              | black                       | black                        | black                     | black                    | black                     | red                                      | black                 | black                  |
| <b>Doors</b>                |                    |                             |                              |                           |                          |                           |  |                       |                        |
| Door trim at beltline       | black              | black                       | black                        | black                     | black                    | saddle brown              | black                                    | black                 | black                  |
| Door centre panel           | black              | hazelnut brown              | macchiato beige              | black                     | black                    | black                     | black                                    | hazelnut brown        | macchiato beige        |
| Lower door trim             | black              | black                       | black                        | black                     | black                    | black                     | black                                    | black                 | black                  |
| <b>Roof lining</b>          | grey               | macchiato beige             | macchiato beige              | black                     | black                    | black                     | black                                    | black                 | black                  |
| <b>Parcel shelf</b>         | black              | macchiato beige             | macchiato beige              | black                     | black                    | black                     | black                                    | black                 | black                  |
| <b>Floor covering</b>       |                    |                             |                              |                           |                          |                           |  |                       |                        |
| Front and rear              | black              | black                       | black                        | black                     | black                    | black                     | black                                    | black                 | black                  |
| Boot                        | black              | black                       | black                        | black                     | black                    | black                     | black                                    | black                 | black                  |

<sup>1</sup>ARTICO man-made leather/DINAMICA microfibre

# Combination options

|  |                       | Non-metallic paints<br>Standard |                 | Metallic paints<br>Optional |                    |                    |                    |                   |                    | designo special paints<br>Optional |                            |                           |
|--|-----------------------|---------------------------------|-----------------|-----------------------------|--------------------|--------------------|--------------------|-------------------|--------------------|------------------------------------|----------------------------|---------------------------|
|  |                       | 040 black                       | 149 polar white | 197 obsidian black          | 775 iridium silver | 890 cavansite blue | 988 diamond silver | 992 selenite grey | 997 kallaite green | 297 selenite grey magno            | 799 diamond white metallic | 996 hyacinth red metallic |
| <b>Leather</b>                                     | black                 | ●                               | ●               | ●                           | ●                  | ●                  | ●                  | ●                 | ●                  | ●                                  | ●                          | ●                         |
|  | hazelnut brown/black  | ●                               | ●               | ●                           | ●                  | ●                  | ●                  | ●                 | ●                  | ●                                  | ●                          | △                         |
|  | macchiato beige/black | ●                               | ○               | ●                           | ●                  | ●                  | ●                  | ●                 | ●                  | ●                                  | ○                          | ●                         |
| <b>ARTICO man-made leather/DINAMICA microfibre</b> |                       | ●                               | ●               | ●                           | ●                  | ●                  | ●                  | ●                 | ●                  | ●                                  | ●                          | ●                         |
| <b>Nappa leather</b>                               | black                 | ●                               | ●               | ●                           | ●                  | ●                  | ●                  | ●                 | ●                  | ●                                  | ●                          | ●                         |
|  | hazelnut brown/black  | ●                               | ●               | ●                           | ●                  | ●                  | ●                  | ●                 | ●                  | ●                                  | ●                          | △                         |
|  | macchiato beige/black | ●                               | ○               | ●                           | ●                  | ●                  | ●                  | ●                 | ●                  | ●                                  | ○                          | ●                         |
|  | saddle brown/black    | ●                               | ●               | ●                           | ●                  | ○                  | ●                  | ●                 | ●                  | ●                                  | ●                          | △                         |
|  |                       |                                 | ●               | ●                           | ●                  | ●                  | ●                  | ●                 | ●                  | ●                                  | ●                          | ●                         |

## Technical data – Saloon

| Model                                   | Diesel engines                            |   |                                      | Petrol engines   |   |
|---|---|---|--------------------------------------|--|---|
|   | E 200 d                                   | E 220 d                                   | E 350 d                              | E 350 e  | Mercedes-AMG E 43 4MATIC                                |
| <b>Engine</b>                           |   |   |                                      |  |   |
| Total displacement                      | cc 1,950                                  | 1,950                                     | 2,987                                | 1,991  | 2,996   |
| Arrangement/cylinders/valves            | in-line/4/16                              | in-line/4/16                              | V/6/24                               | in-line/4/16   | V/6/24  |
| Fuel delivery                           | Common-rail diesel with twin turbocharger | Common-rail diesel with twin turbocharger | Common-rail diesel with turbocharger | Electronically controlled direct injection plus electric motor | Electronically controlled direct injection with biturbo |
| Power <sup>1</sup><br>Combustion engine | hp (kW) at rpm<br>150 (110)/3,200–4,800   | 194 (143)/3,800                           | 258 (190)/3,400                      | 211 (155)/5,500  | 401 (295)/6,100   |
| Electric motor<br>System output         | –<br>–                                    | –<br>–                                    | –<br>–                               | 88 (65)/1,200<br>279 (210)/5,000                               | –<br>–  |
| Torque <sup>1</sup>                     | Nm at rpm<br>360/1,400–2,800              | 400/1,600–2,800                           | 620/1,600–2,400                      | 350/1,200–4,000  | 520/2,500–5,000   |
| Compression ratio                       | 15.5:1                                    | 15.5:1                                    | 15.5:1                               | 9.8:1  | 10.7:1  |
| <b>Transmission</b>                     |   |   |                                      |  |   |
| 9G-TRONIC PLUS 9-speed auto.            | ●   | ●   | ●                                    | ●  | ●   |
| <b>Tyre sizes</b>                       |   |   |                                      |  |   |
| Front – SE (AMG Line)                   | 225/55 (245/40) R 17 (R 19)               | 225/55 (245/40) R 17 (R 19)               | 245/45 (245/40) R 18 (R 19)          | 245/45 (245/40) R 18 (R 19)                                    | 245/40 R 19   |
| Rear – SE (AMG Line)                    | 225/55 (275/35) R 17 (R 19)               | 225/55 (275/35) R 17 (R 19)               | 245/45 (275/35) R 18 (R 19)          | 275/40 (275/35) R 18 (R 19)                                    | 275/35 R 19   |

| Model                                 | Diesel engines |         |                  | Petrol engines |                          |
|---------------------------------------|----------------|---------|------------------|----------------|--------------------------|
|                                       | E 200 d        | E 220 d | E 350 d          | E 350 e        | Mercedes-AMG E 43 4MATIC |
| <b>Performance</b>                    | auto.          | auto.   | auto.            | auto.          | auto.                    |
| Acceleration 0–62 mph                 | sec 8.4        | 7.3     | 5.9              | 6.2            | 4.6                      |
| Top speed, approx.                    | mph 139        | 149     | 155 <sup>2</sup> | 155            | 155 <sup>2</sup>         |
| <b>Weights and capacities</b>         | auto.          | auto.   | auto.            | auto.          | auto.                    |
| Kerb weight                           | kg 1,680       | 1,680   | 1,800            | 1,925          | 1,840                    |
| Perm. GVW                             | kg 2,320       | 2,320   | 2,440            | 2,565          | 2,415                    |
| Load capacity                         | l 540          | 540     | 540              | 400            | 540                      |
| Towing capacity – unbraked            | kg 750         | 750     | 750              | 750            | –                        |
| braked                                | kg 2,100       | 2,100   | 2,100            | 2,100          |                          |
| Fuel tank capacity/reserve            | l 66/7         | 66/7    | 66/7             | 50/7           | 66/7                     |
| Turning circle                        | m 11.60        | 11.60   | 11.60            | 11.60          | 12.50                    |
| <b>Fuel consumption<sup>3,4</sup></b> | mpg auto.      | auto.   | auto.            | auto.          | auto.                    |
| Urban                                 | 65.7           | 65.7    | 44.1             | –              | 25.7                     |
| Extra-urban <sup>3</sup>              | 78.5           | 78.5    | 61.4             | –              | 41.5                     |
| Combined                              | 72.4           | 72.4    | 54.3             | 134.5*         | 33.6                     |

| Model                                       | Diesel engines |         |         | Petrol engines |                          |
|---|----------------|---------|---------|----------------|--------------------------|
|   | E 200 d        | E 220 d | E 350 d | E 350 e        | Mercedes-AMG E 43 4MATIC |
| <b>CO<sub>2</sub> emissions<sup>4</sup></b> | g/km           | auto.   | auto.   | auto.          | auto.                    |
| Emissions standard                          |                | EU6     | EU6     | EU6            | EU6                      |
| 17" 225/55 tyres                            |                | 102     | 102     | -              | -                        |
| 18" 245/45 tyres                            |                | -       | -       | 136            | -                        |
| 18" 275/45 tyres                            |                | 105     | 105     | 136            | 49                       |
| 19" 275/35 tyres                            |                | 112     | 112     | 144            | 57                       |
| 20" 275/30 tyres                            |                | 112     | 112     | 144            | -                        |
|   |                |         |         |                | 192                      |

#### Insurance group ratings

|                                   |     |           |           |     |     |
|-----------------------------------|-----|-----------|-----------|-----|-----|
| Base model – SE (AMG Line)        | tba | 31E (31E) | 41E (41E) | tba | tba |
| Incl. Premium equipment line      | tba | 31E (32E) | 41E (41E) | tba | tba |
| Incl. Premium Plus equipment line | tba | 32E (32E) | 41E (41E) | tba | tba |

Insurance ratings may vary depending on model line and specification. Please refer to <http://www.thatcham.org/abigrouprating/> for further details

<sup>1</sup>Figures according to Directive 80/1269/EEC in the currently applicable version

<sup>2</sup>Electronically limited

<sup>3</sup>All figures on a standard specification with the smallest tyre size

<sup>4</sup>The choice of wheels and transmissions may effect CO<sub>2</sub> emissions and corresponding Road Fund Licence

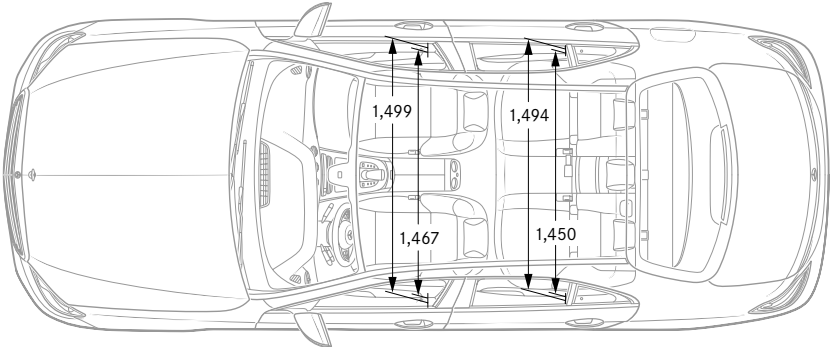
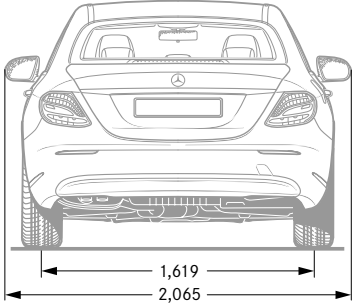
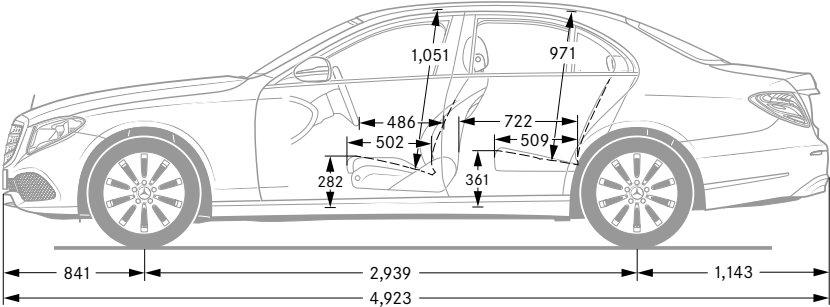
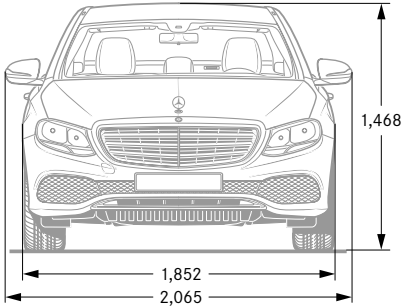
<sup>5</sup>EUDC: extra-urban driving cycle. Testing procedures adhere to EU directive 93/116

\*The manufacturer's stated fuel consumption figures are based on the legally prescribed NEDC test cycle, which is performed in a laboratory. These are the only figures we are allowed to publish.

It is common that differences occur in real driving conditions compared with these certified laboratory values. They result primarily from conditions different from the legally-prescribed laboratory conditions, for example when ambient temperatures differ (the weather is hot, cold, windy, wet), the vehicle is operated under different loads and many other factors.

For several years, Mercedes-Benz has fully and actively supported the early introduction of the WLTP (Worldwide Harmonised Light Vehicles Test Procedure) and the measuring procedure for Real Driving Emissions (RDE). This procedure is designed to supersede the NEDC, with the goal of bringing standardised and real-world consumption closer together





The figures on pages 38-41 are correct at time of publication. Please refer to the government website for latest data - <http://carfueldata.direct.gov.uk/>  
 All measurements in millimetres. The dimensions are mean values and apply to standard-specification, unladen vehicles. Please note that wheels shown do not form part of standard UK specification

## Technical data – Estate

|              |                      |
|--------------|----------------------|
| <b>Model</b> | <b>Diesel engine</b> |
|              | E220d                |

|                              |                |   |
|------------------------------|----------------|---|
| <b>Engine</b>                |                |   |
| Total displacement           | cc             | 1,950                                     |
| Arrangement/cylinders/valves |                | in-line/4/16                              |
| Fuel delivery                |                | Common-rail diesel with twin turbocharger |
| Power <sup>1</sup>           | hp (kW) at rpm | 194 (143)/3,800                           |
| Torque <sup>1</sup>          | Nm at rpm      | 400/1,600–2,800                           |
| Compression ratio            |                | 15.5:1                                    |

|                              |   |
|------------------------------|---|
| <b>Transmission</b>          |   |
| 9G-TRONIC PLUS 9-speed auto. | ● |

|                       |                             |
|-----------------------|-----------------------------|
| <b>Tyre sizes</b>     |                             |
| Front – SE (AMG Line) | 225/55 (245/40) R 17 (R 19) |
| Rear – SE (AMG Line)  | 225/55 (275/35) R 17 (R 19) |

|                                       |     |                      |
|---------------------------------------|-----|----------------------|
|                                       |     | <b>Diesel engine</b> |
| <b>Model</b>                          |     | E 220 d              |
| <b>Performance</b>                    |     | auto.                |
| Acceleration 0–62 mph                 | sec | 7.7                  |
| Top speed, approx.                    | mph | 146                  |
| <b>Weights and capacities</b>         |     | auto.                |
| Kerb weight                           | kg  | 1,780                |
| Perm. GVW                             | kg  | 2,450                |
| Load capacity                         | l   | 640–1,820            |
| Towing capacity – unbraked            |     | 750                  |
| braked                                | kg  | 2,100                |
| Fuel tank capacity/reserve            | l   | 66/7                 |
| Turning circle                        | m   | 11.60                |
| <b>Fuel consumption<sup>3,4</sup></b> | mpg | auto.                |
| Urban                                 |     | 62.8                 |
| Extra-urban <sup>3</sup>              |     | 72.4                 |
| Combined                              |     | 67.3                 |

|   |      | Diesel engine |
|---|------|---------------|
| <b>Model</b>                                |      | E 220 d       |
| <b>CO<sub>2</sub> emissions<sup>4</sup></b> | g/km | auto.         |
| Emissions standard                          |      | EU6           |
| 17" 225/55 tyres                            |      | 109           |
| 18" 275/45 tyres                            |      | 112           |
| 19" 275/35 tyres                            |      | 120           |
| 20" 275/30 tyres                            |      | 120           |

#### Insurance group ratings

|                                   |     |
|-----------------------------------|-----|
| Base model – SE (AMG Line)        | tba |
| Incl. Premium equipment line      | tba |
| Incl. Premium Plus equipment line | tba |

Insurance ratings may vary depending on model line and specification.

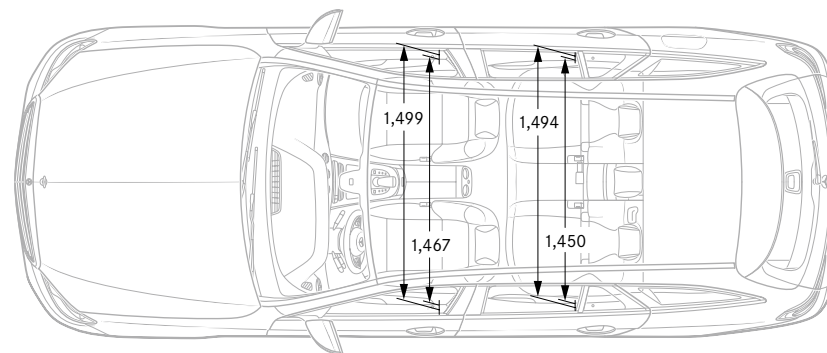
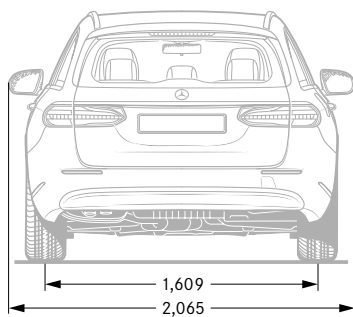
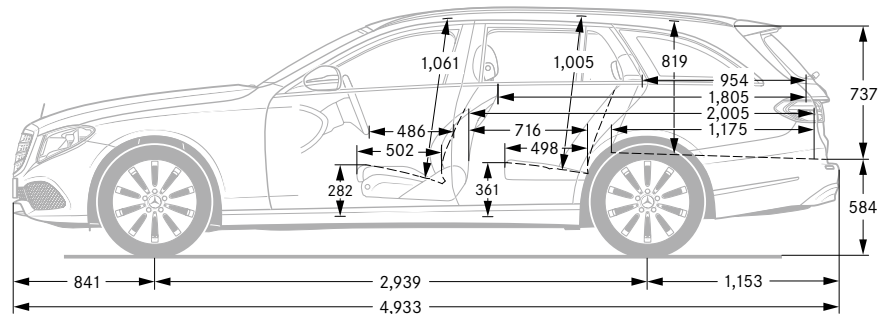
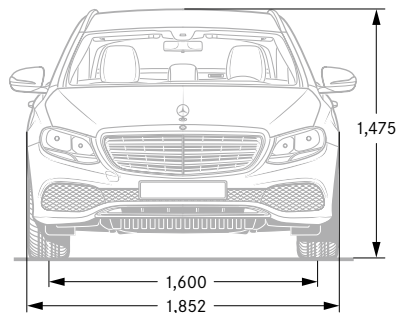
Please refer to <http://www.thatcham.org/abigrouprating/> for further details

<sup>1</sup>Figures according to Directive 80/1269/EEC in the currently applicable version

<sup>2</sup>Electronically limited <sup>3</sup>All figures on a standard specification with the smallest tyre size

<sup>4</sup>The choice of wheels and transmissions may effect CO<sub>2</sub> emissions and corresponding Road Fund Licence

<sup>5</sup>EUDC: extra-urban driving cycle. Testing procedures adhere to EU directive 93/116



# Road Fund Licence



All road vehicle registrations are subject to Vehicle Excise Duty (Road Fund Licence), which varies in accordance with the vehicle's CO<sub>2</sub> emissions. A first year rate of Vehicle Excise Duty applies to new cars on their first year of registration. For the second and subsequent years a standard rate for each taxation band will apply.<sup>1</sup> The table below shows the bands (A–M) created by the DVLA and the corresponding Road Fund Licence. CO<sub>2</sub> emissions are listed in the technical data on page 40, and the relevant Excise Duty is reflected in the on-the-road prices on page 7.

| Band | CO <sub>2</sub> emissions | Petrol/Diesel       |                   | Electric/Hybrid     |                   |
|------|---------------------------|---------------------|-------------------|---------------------|-------------------|
|      |                           | First year rate (£) | Standard rate (£) | First year rate (£) | Standard rate (£) |
| A    | up to 100 g/km            | 0.00                | 0.00              | 0.00                | 0.00              |
| B    | 101–110 g/km              | 0.00                | 20.00             | 0.00                | 10.00             |
| C    | 111–120 g/km              | 0.00                | 30.00             | 0.00                | 20.00             |
| D    | 121–130 g/km              | 0.00                | 110.00            | 0.00                | 100.00            |
| E    | 131–140 g/km              | 130.00              | 130.00            | 120.00              | 120.00            |
| F    | 141–150 g/km              | 145.00              | 145.00            | 135.00              | 135.00            |
| G    | 151–165 g/km              | 185.00              | 185.00            | 175.00              | 175.00            |
| H    | 166–175 g/km              | 300.00              | 210.00            | 290.00              | 200.00            |
| I    | 176–185 g/km              | 355.00              | 230.00            | 345.00              | 220.00            |
| J    | 186–200 g/km              | 500.00              | 270.00            | 490.00              | 260.00            |
| K    | 201–225 g/km              | 650.00              | 295.00            | 640.00              | 285.00            |
| L    | 226–255 g/km              | 885.00              | 500.00            | 875.00              | 490.00            |
| M    | over 255 g/km             | 1,120.00            | 515.00            | 1,110.00            | 505.00            |

<sup>1</sup>For further information on vehicle taxation please refer to <http://carfueldata.direct.gov.uk/>

# Services and insurance

## Mercedes-Benz Service Care

We believe that servicing costs should be as flexible and affordable as possible for your E-Class, which is why we offer Service Care, an easy way to budget for all your servicing costs. It spreads your bills into manageable payments based on whether you have a new or used Mercedes-Benz.

With Service Care we guarantee the price of parts and labour for up to four services and safeguard against further inflation. It also covers the cost of all recommended service items including brake fluid, spark plugs, air filters, fuel filters and screen wash.

You can choose either to add your servicing costs into your monthly spend or pay the full amount in a one-off payment, giving you peace of mind that they are taken care of for the period of the plan.

To receive a personalised Service Care plan recommendation visit the Service Care Calculator at [servicecarerates.mercedes-benz.co.uk](http://servicecarerates.mercedes-benz.co.uk)

## Warranty and breakdown cover

Every Mercedes-Benz comes with a three-year unlimited mileage warranty against manufacturing or material defects<sup>1</sup> and up to 30 years warranty against perforation due to corrosion from the inside out<sup>2</sup>. What's more, it's also covered by Mercedes-Benz Roadside Assistance – a unique package comprising up to 30 years pan-European breakdown assistance.<sup>2</sup>

## Insurance

Since our name is synonymous with reliability, who better to trust with your motor insurance? Mercedes-Benz Insurance provides a motor insurance policy specifically designed to give you the cover you would expect from Mercedes-Benz. For a motor insurance quotation, call **0345 600 2180**.\*

# The Mercedes that thinks and acts for you.

## Imagine if...

### ...you could connect with your Mercedes-Benz?

With Mercedes me connect, you can; with Remote Online services<sup>1</sup> that include trip planning, maintenance management and vehicle tracking, plus more.

Getting connected is easy. Just set up your Mercedes me account and get in touch with your Mercedes-Benz Retailer to connect your vehicle to your profile to access your Mercedes me connect services.

### ...you knew beforehand that you need to stop for fuel?

Simply check the fuel level and mileage range from your phone wherever you are. You can also check tyre pressure and washer fluid level. (For electric cars, you can check battery charge state.)

### ...your Mercedes could tell you where it's parked?

You no longer need to ask yourself where you left your car; with Mercedes me connect you can locate your car from your smartphone or tablet within a mile radius.



1. PARKED VEHICLE LOCATOR  
2. VEHICLE TRACKER

3. REMOTE RETRIEVAL OF VEHICLE STATUS  
4. PRE-ENTRY CLIMATE CONTROL FOR ELECTRIC DRIVE AND PLUG-IN HYBRID



### ...you could lock your Mercedes, even if you're miles away?

The uncertainty of whether you've forgotten to lock the car is only human. To make sure your Mercedes-Benz is safe and secure, you can simply lock the car remotely via your PC/Mac, tablet or smartphone.

### ...your Mercedes told you when your service is due?

Being connected means essential data is constantly sent to your Mercedes-Benz Retailer so they know when it is time for a service. Your Retailer can then contact you with a tailor-made service quote.

### ...your Retailer already knows which parts need replacing?

As surprising as this sounds, with teliagnostics your Retailer can recognise remotely if certain parts are due for replacement, contacting you to book an appointment and making sure the relevant parts are in stock when you arrive, getting you back on the road as quickly as possible.

### ...you could just push a button to deal with a breakdown?

Should your car break down, with a simple press of the button everything is taken care of – from breakdown assistance to vehicle recovery.

### ...your Mercedes called for help?

Your Mercedes comes with an SOS button. Press it if you need urgent help and you will be contacted by the emergency response centre.<sup>2</sup> In the event of an accident where airbags or seatbelt tensioners have been activated, a call is placed automatically. Your GPS position is sent to the response teams to initiate rescue efforts.<sup>3</sup>

### The Mercedes that thinks and acts for you.

Contact your Retailer to get connected, or go to [www.mercedes.me](http://www.mercedes.me) for more details.

<sup>1</sup>This is available as an option in conjunction with Audio 20 CD, and standard with COMAND Online. Remote Online is standard with electric drive and plug-in hybrid. Use of the Remote Online equipment option is limited to three years from first registration of the vehicle and can then be extended at extra cost.

<sup>2</sup>A call is placed via the car's sim card, rather than the customer relying on their mobile phone.

<sup>3</sup>This feature is still available to customers without Mercedes me connect services. The customer is not required to accept the terms and conditions on the portal to activate this feature. For all other features the customer will have to accept terms and conditions on the portal to activate them.

# Mercedes-Benz Finance

## Why should you finance with Mercedes-Benz?

At Mercedes-Benz we believe a great driving experience should be matched by an equally great ownership experience. That is why we put just as much thought, time and effort into designing our finance options, our service plans and our insurance cover as we do into our vehicles.

We are not in the business of simply providing a loan to fund the purchase of your dream vehicle. We look on it as a journey that we take with you, from the moment you choose your new Mercedes-Benz, to helping you in choosing your next one.

If you would like to find out more about any of our current offers, simply call into your local Mercedes-Benz Retailer where one of our Business Managers will be more than happy to talk you through anything you need to know.

## Helping you find the right solution.

You should find our finance packages are more convenient than a traditional personal loan because:

- Funds are immediately available – no waiting for cheques or loans to clear.
- There is no security required – either against your home or other assets.
- We have clear and transparent rates – the APR we quote is the APR you get.
- We have friendly Business Managers – experts in vehicle finance who can talk you through all of your plans in detail.

One of our most popular finance products is Mercedes-Benz Agility (our Personal Contract Purchase product). We also offer Contract Hire, Operating Lease and Hire Purchase solutions. If you would like to find out more about these speak to your Retailer or visit [www.mercedes-benz.co.uk/fandi](http://www.mercedes-benz.co.uk/fandi).

## Mercedes-Benz Agility (our PCP product).

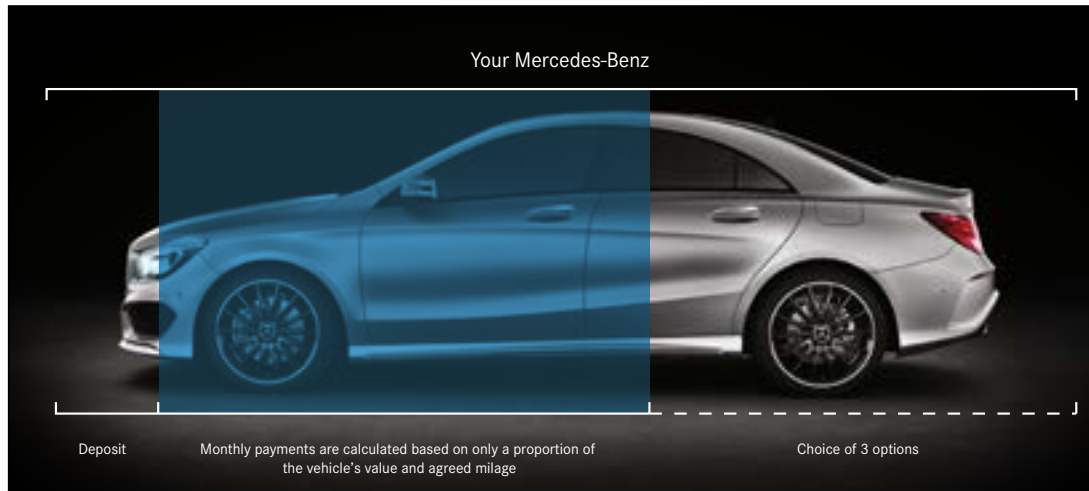
At the start of an Agility agreement, you put down a deposit and decide the term of your agreement and your annual mileage. You will be advised of the Guaranteed Future Value, which offers you the reassurance of knowing exactly what you will need to pay to own the vehicle outright in the future (this is known as the Optional Purchase Payment).

Throughout your agreement you simply pay your agreed monthly payments and when the agreement comes to an end you either purchase, hand back or part-exchange your vehicle.



### Agility features:

- Fixed regular payments mean you can easily budget.
- Payments are based only on a proportion of the vehicle's value, keeping your monthly payments lower.
- Our Guaranteed Future Value avoids the risk of unplanned depreciation of your vehicle.
- You defer your ownership decision until the end of the agreement.



### At the end of your agreement you have three options to choose from.

#### Option 1: Purchase your Mercedes-Benz.

Purchase your Mercedes-Benz by paying the Optional Purchase Payment and Purchase Activation Fee.<sup>1</sup> This will complete the purchase of your Mercedes-Benz, leaving you free to simply enjoy your vehicle.

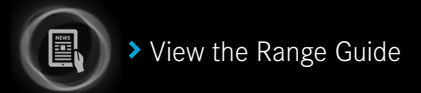
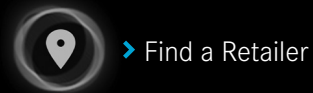
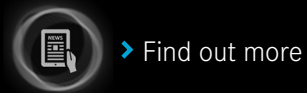
#### Option 2: Hand back your Mercedes-Benz.

If you decide to return your vehicle to us, it must be in line with our Vehicle Return Standards,\* as vehicle condition, excess mileage and other charges may be payable.


#### Option 3: Part-Exchange for a new vehicle.


Purchase your Mercedes-Benz by paying the Optional Purchase Payment and Purchase Activation Fee.<sup>1</sup> This will complete the purchase of your Mercedes-Benz, leaving you free to part-exchange for a new vehicle.


<sup>1</sup>Please note the 'Purchase Activation Fee' of £10 will be debited from your account \*To find out more information about our Vehicle Return Standards please visit <http://mercedes-benz.co.uk/vrs>




Follow us on the following social media channels:

 <https://www.facebook.com/MercedesBenzUk>

 <https://twitter.com/mercedesbenzUK>

 <https://www.youtube.com/mercedesbenzUK>

 <https://instagram.com/mercedesbenzUK>

Effective from 15 July 2016. Information correct at time of publication.  
Prices and specifications are subject to change without prior notice.  
MBWS213PL/0716

Mercedes-Benz UK Ltd, Tongwell, Milton Keynes, MK15 8BA [www.mercedes-benz.co.uk](http://www.mercedes-benz.co.uk)